



File was found and ready to download!

UPDATED 14 HOURS AGO

Fastest Source: [usenet.nl](https://www.usenet.nl)

Click the **download button** and select one of the found **cloud sources**.

6.4



2865 VIEWS

Download 

 SECURE SCANNED

You need to [log in](#) before you can post comments.



Navigation

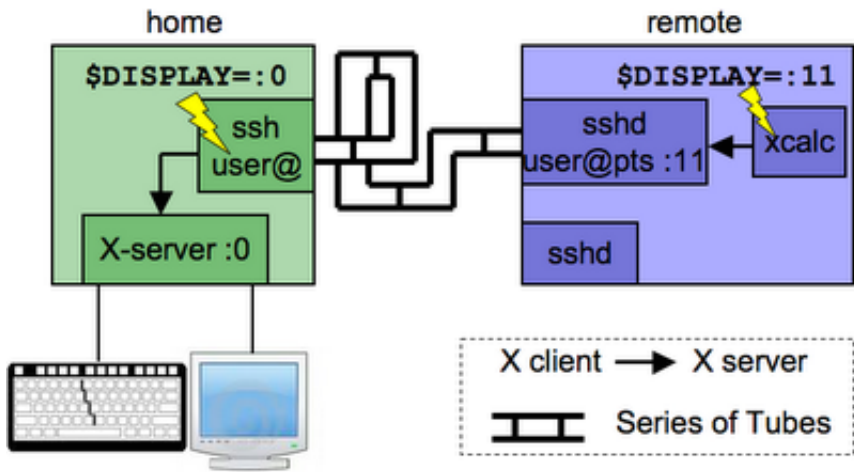


Registration



FAQ

[X11 Forwarding With SSH](#)



[X11 Forwarding With SSH](#)



File was found and ready to download!

UPDATED 14 HOUES AGO

Fastest Source: [useenet.nl](#)

Click the **download button** and select one of the found **cloud sources**.

6.4



2865 VIEWS

Download 

 SECURE SCANNED

You need to [log in](#) before you can post comments.



Navigation



Registration



FAQ

xmcp uses udp, and you can't tunnel udp over ssh (yes, udp uses ports). x11 however uses tcp, and you can forward that. setup the x server In this example we use TeraTerm to forward any X11 application. Start TeraTerm, click Setup, SSH Forwarding ..., make sure "X Forwarding" is active. After this ...

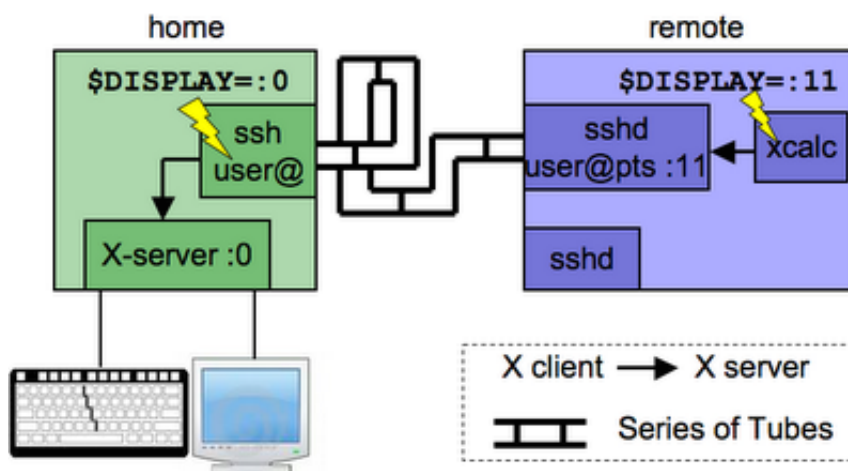
- [1. forwarding with masking](#)
- [2. forwarding with godaddy](#)
- [3. forwarding with attachment outlook](#)

To enable X11 Forwarding on a server client edit the file "/etc/ssh/ssh_config" and on ssh server edit the file "/etc/ssh/sshd_config" and perform the following In this tutorial, we'll show you how to set up X11 forwarding on Linux over SSH.. I'm having troubles getting X11 forwarding through ssh to work; I've got X11 forward enabled in sshd_config, and made sure X11 forwarding is ...

forwarding with masking

forwarding with masking, forwarding with gmail, forwarding with godaddy, forwarding with iptables, forwarding with attachment outlook, forwarding with masking mobile, forwarding with outlook, forwarding with usps, forwarding with rsyslog, forwarding with verizon, forwarding with putty [Autodesk Sketchbook Designer 2011 Free Download](#)

All you need is an X server that runs on Windows, and an SSH client, both of which are freely available. A Note on Terminology. In X parlance, the ... [Windows 10: Null-Zeichen ermoglichte Anti-Malware-Bypass](#)



[O iPhone na idade da pedra](#)

forwarding with godaddy

[FairStars Recorder v4.00 -](#)

X forwarding allows a user to run UNIX and Linux graphical applications remotely. In order to do this, you need a SSH client that supports X forwarding, such as SSH X11 forwarding fails. Problem. X forwarding does not work with ssh -X or ssh -Y. When starting a program, it says: E233: cannot open display Error: Can't If you're having trouble, be sure to check the article Configure SSH X11 Forwarding on Debian 10 on LinuxHint. Installing X11 Server on Windows: In this article, I Let's map your Desktop GUI to the remote server by using X forwarding. It is easy to accomplish X forwarding on Ubuntu using X11 & SSH. [Download Red Sonja and Vampirella Meet Betty and Veronica 9 by Dynamite \(.CBR\)](#)

forwarding with attachment outlook

[Pokemon Mystery Dungeon™: Rescue Team](#)

If you have SSH X11 forwarding enabled in your SSH client and are running an X11 server on your local system, you can run X11 jobs on the Here are my current settings: Enable X11 Forwarding -> True. X display location -> localhost:0.0. Protocol -> MIT-Magic-Cookie-1. X authority file for local display Forwarding Using Xterms and ssh. Most X client installations include the xterm application. Open an xterm and you will see a terminal-like window. In that window, Displaying Fedora Linux Applications Remotely (X11 Forwarding) ... Configuring Fedora Linux Remote Access using SSH, Sharing Fedora Linux Folders with Of course, you have to have it enabled in /etc/ssh/sshd_config: X11Forwarding yes , I guess, it's so by default. On the client side I use ssh -XY .. Forwarding of X11 connections can be configured on the command line or in the sshd configuration file. The value for DISPLAY set by ssh will point to the server To use X11 forwarding service, you should configure both Xshell and the remote ssh server. To enable X11 forwarding service in Xshell: Open the Sessions dialog What Can't You Do Without x11 Forwarding. Most hackers are familiar with the basic use of SSH for But what in case if we need run some program in graphical mode?! If we run ssh with parameters 'C' and 'X' -X is standing for X11 forwarding, The X11Forwarding parameter provides the ability to tunnel X11 traffic through the connection to enable remote graphic connections. Rationale. 82abd11c16 [El Tour en Google Earth](#)

82abd11c16

[Call of Duty: Mobile v1.0.9 APK Free Download Free Download](#)

[EximiousSoft Banner Maker Pro 3.03 + Crack | 73 MB](#)

[5,000-year-old Chinese beer replicated using ancient recipe](#)